

# Mi Electric Kettle

The peace that comes with a warm cup

Fast boiling | 304 stainless steel interior | 1.5 liter capacity | Large 13 cm mouthpiece





# With 1.5 liter capacity, you can heat water for many people at the same time.

With its 1.5 liter capacity, Mi Electric Kettle can heat water for the whole family on its own. Less filling saves you time.







## Reaches bubbling point in less than 5 minutes

Mi Electric Kettle has 1800W high-power heating ring at its base. The ring boils the water quickly, heating it all the way from the bottom to the top.





Smile Today

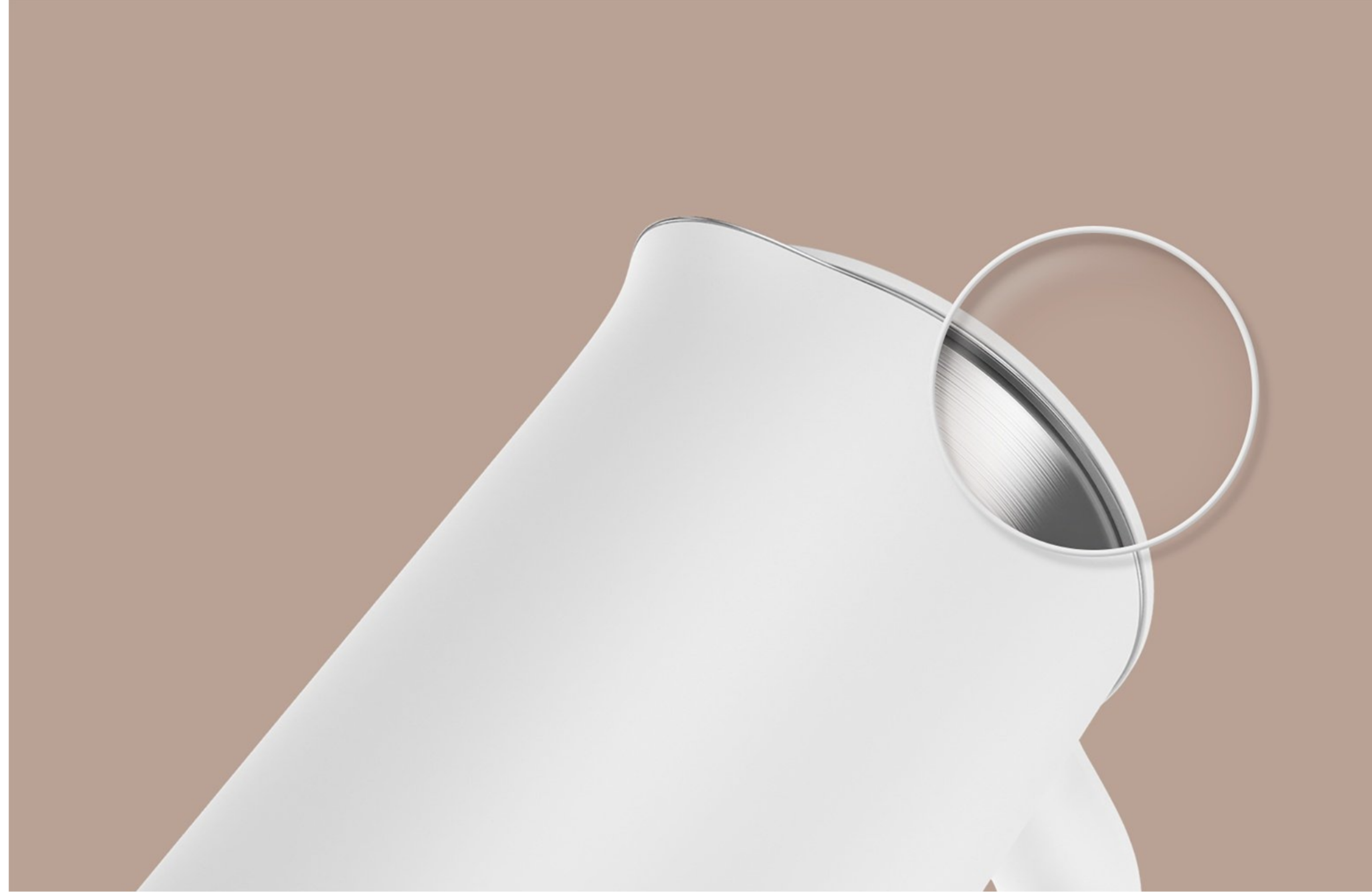
Cup



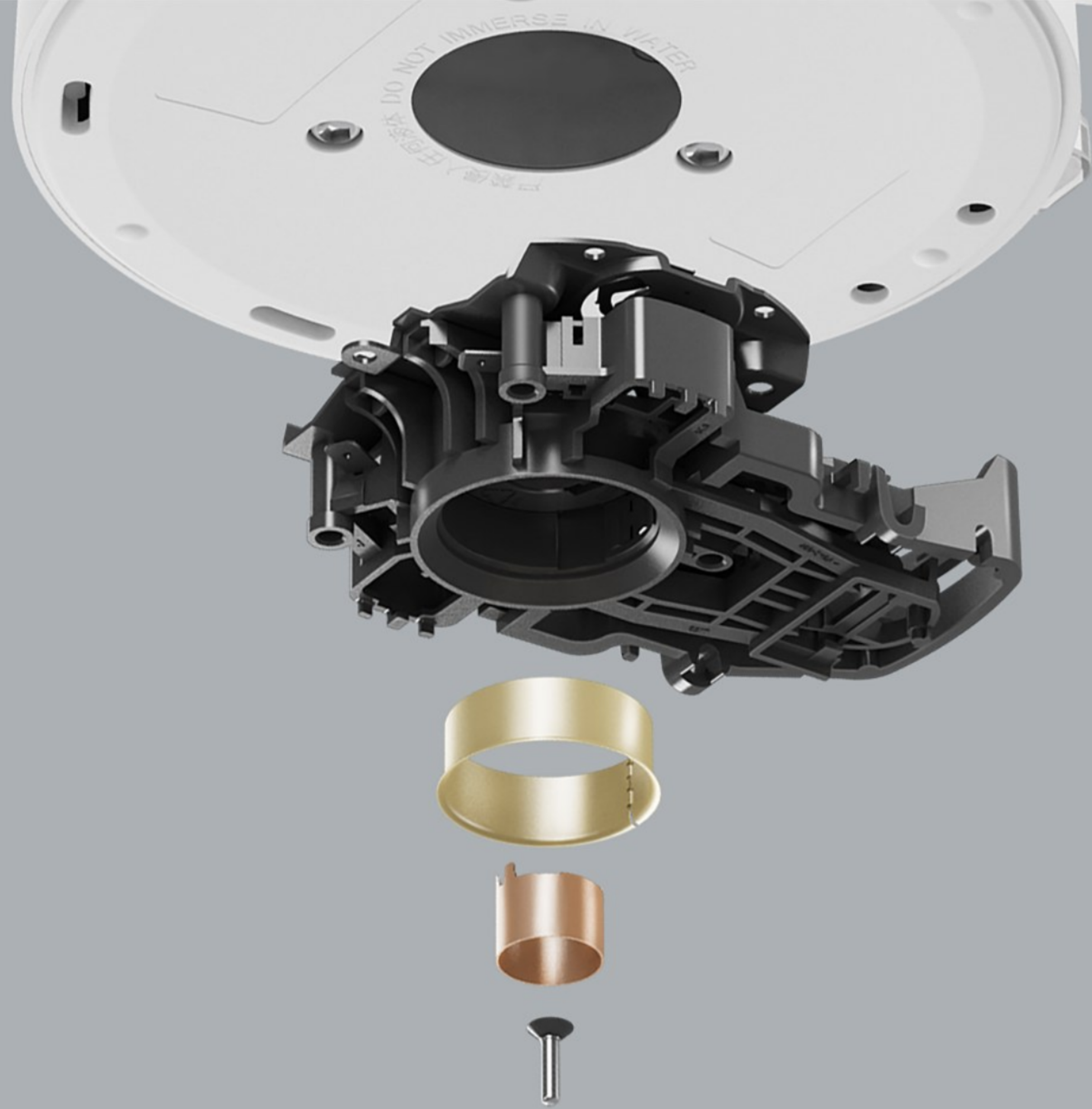
## Quality interior means quality water

Water stays clean and safe thanks to the 304 stainless steel interior

Many parts of the kettle, including its interior and lid, are in direct contact with water. That's why Mi Electric Kettle uses high quality 304 stainless steel, which meets GB4806 standards. This grade of stainless steel is considered to be quite safe and is used frequently in the food industry and by physicians. It is rustproof, odorless, stain resistant and easy to clean.





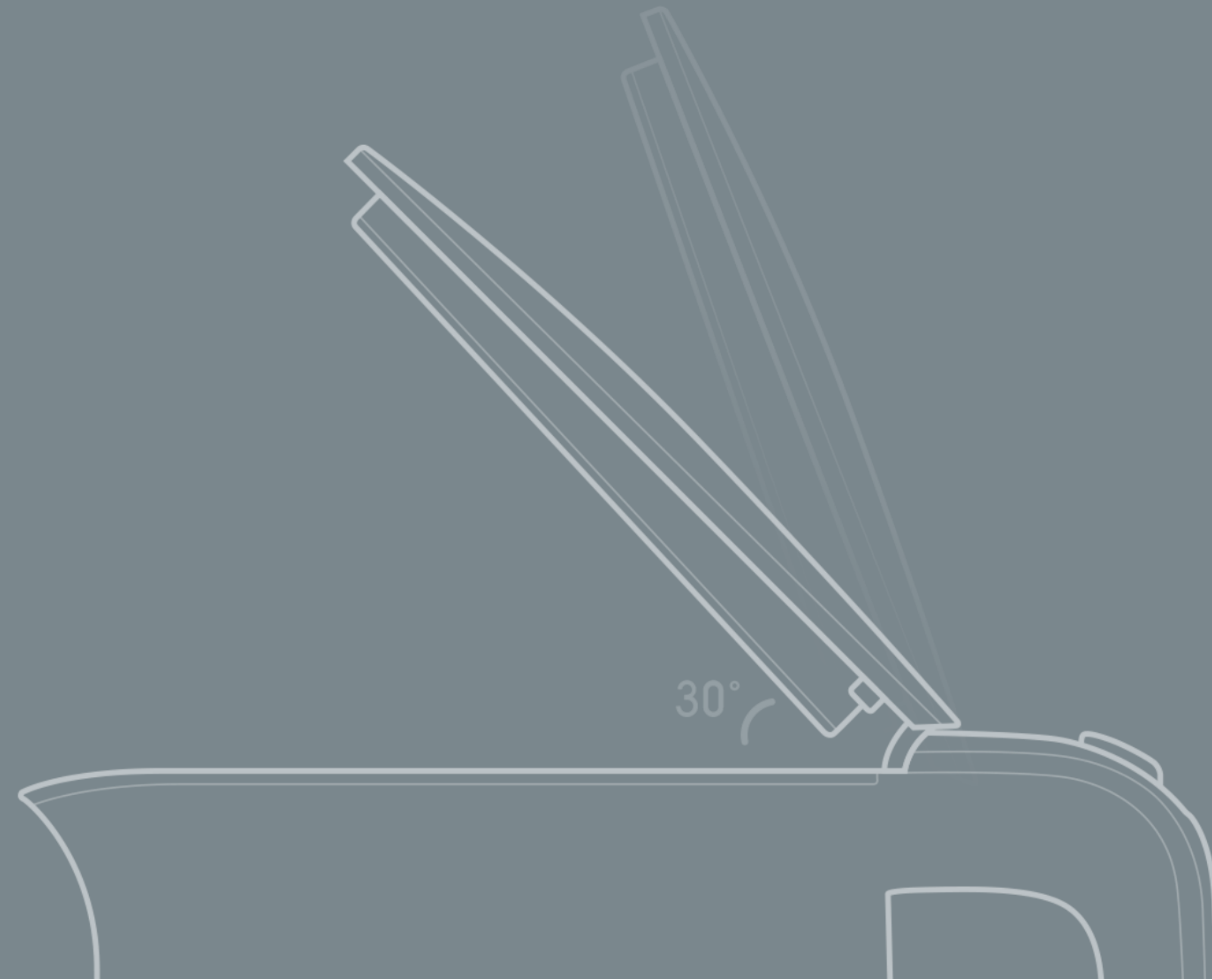


**Higher quality  
temperature controls  
offer greater durability  
and longer operating life**



## The two-stage loosening system of the lid prevents splashes when opened

When you press the button to open the lid, it opens slowly at an angle of 30° to prevent hot water from splashing.





Thanks to the design of the 130 mm mouth, which is included in the perfect interior, without any unnecessary bends or angles, you can perform the pouring process without any problems.

Mi Electric Kettle's unibody molding technology provides a seamless inner coating, while the spout design provides a whole structure without any irregular folds or angles. The bottom of the kettle is smooth and resistant to dirt. The extra-large 130 mm mouth and 75° wide-angle lid ensure easy cleaning.



## Double heat barrier layer allows you to touch the exterior with confidence

Mi Electric Kettle has double-layer insulation and a fully sealed stainless steel interior. These features protect your drinking water and create a hollow insulation layer around the kettle. Even if the water reaches 100°C, the outside of the kettle stays cold at 40°C.



## Three electrical safety features to keep your home safe

Mi Electric Kettle uses three different electrical safety features: The first is the automatic shut-off feature, which is triggered when the water is fully boiled. Latter; A built-in sensor detects the absence of water in the kettle and automatically turns it off. The third feature is that the expert design base part effectively prevents electric shock and leakage.



Anti shock properties



Water level sensor with automatic shut-off



Lid sensor with automatic closing





## Visible LED heat lights let you check the water at a glance

The indicator light shows which stage the kettle is in. In this way, you can heat a glass of hot water whenever you want, even at night.

## Power cord storage provides a clean and tidy appearance

Wrap the unused portion of the power cord under the base for a clean and tidy look in any room.







\*All the information listed above are from tests performed in the Yunmi lab. Results during actual use may differ due to environmental changes.