

Mi Smart Kettle Pro

Learn all five adjustable modes

Real Time Temperature Display | 1.5 L High Capacity | UK Brand STRIX
Thermostat | Triple Security Protection





An electric kettle with a screen

Informative temperature display

The new generation Mi Smart Kettle Pro has upgraded HD digital display screen and real-time water temperature display. Adjust the temperature to keep your drink at your desired temperature setting and avoid burns.

Customizable temperature modes at your fingertips at the touch of a button

The keep-warm button is now equipped with five keep-warm temperature modes, meeting all your brewing and boiling needs at the touch of a button.



40°C for probiotics



50°C for milk powder



70°C for baby food



80°C for tea



90°C for coffee

*Temperatures shown above are for reference only and can be adjusted according to personal needs via Mi Home/Xiaomi Home app.



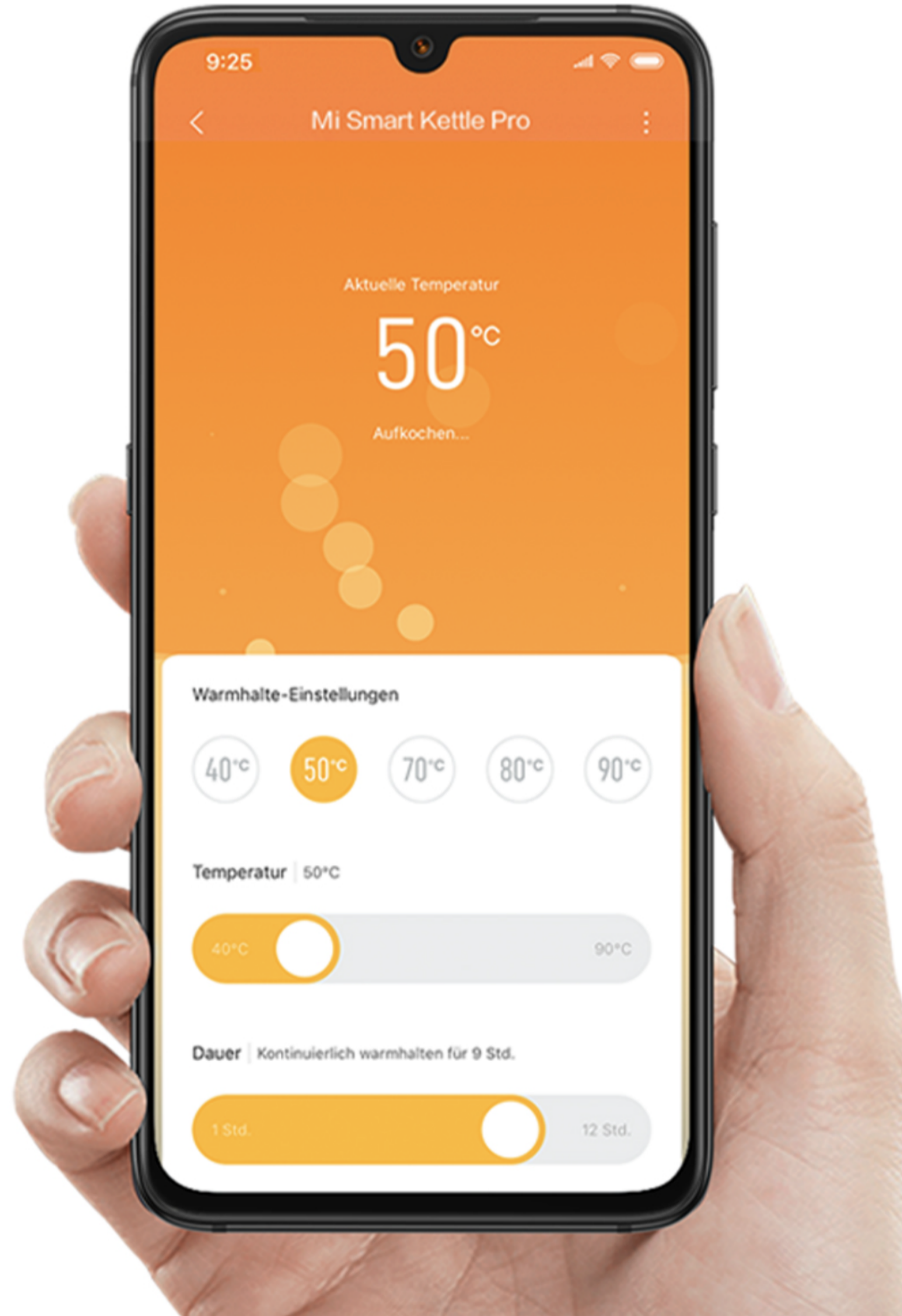
Probiotics for your family
Stay healthy with the right water temperature

powdered milk for your baby
You no longer have to wait for the boiled water to cool



office coffee
Reaches perfect taste at 90°C





Control your kettle from the app Customize your keep-warm temperature

Keep-warm temperature and time can be adjusted from Mi Home/Xiaomi Home app. The temperature of each mode can be adjusted between 40–90°C. Keep-warm time of up to 12 hours. Depending on your user habits, you can enable "keep warm after picking" or "keep warm after boiling"*.

*The "keep warm after picking" and "keep warm after boiling" features are not automatically enabled in the app. If you enable 'keep warm on take' in the app and remove the kettle from its base while in keep-warm mode, the kettle will return to keep-warm mode when placed back on the base. If you enable the "keep warm after boiling" feature in the app, the kettle will reduce and maintain the temperature of the water after boiling, bringing it to the temperature setting of the keep-warm mode.

SCR soundproofing

Have a good sleep undisturbed

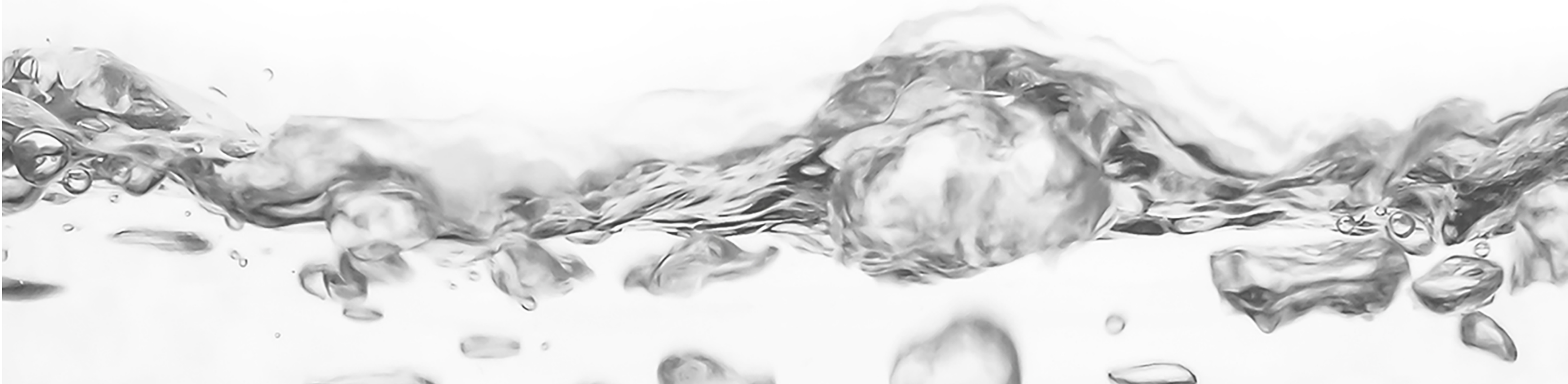
With the addition of the SCR component, when the water temperature drops below the keep-warm temperature, the low-power temperature heating feature is activated to keep the water warm without making any noise. No more waking up to sudden heating sounds while you sleep.



Goes from stagnant to boiling in just 5 minutes

Thanks to the 1800 W high-power energy-oriented heating ring in the base, the water is thoroughly heated from the bottom up. Water boils in about 5 minutes*.

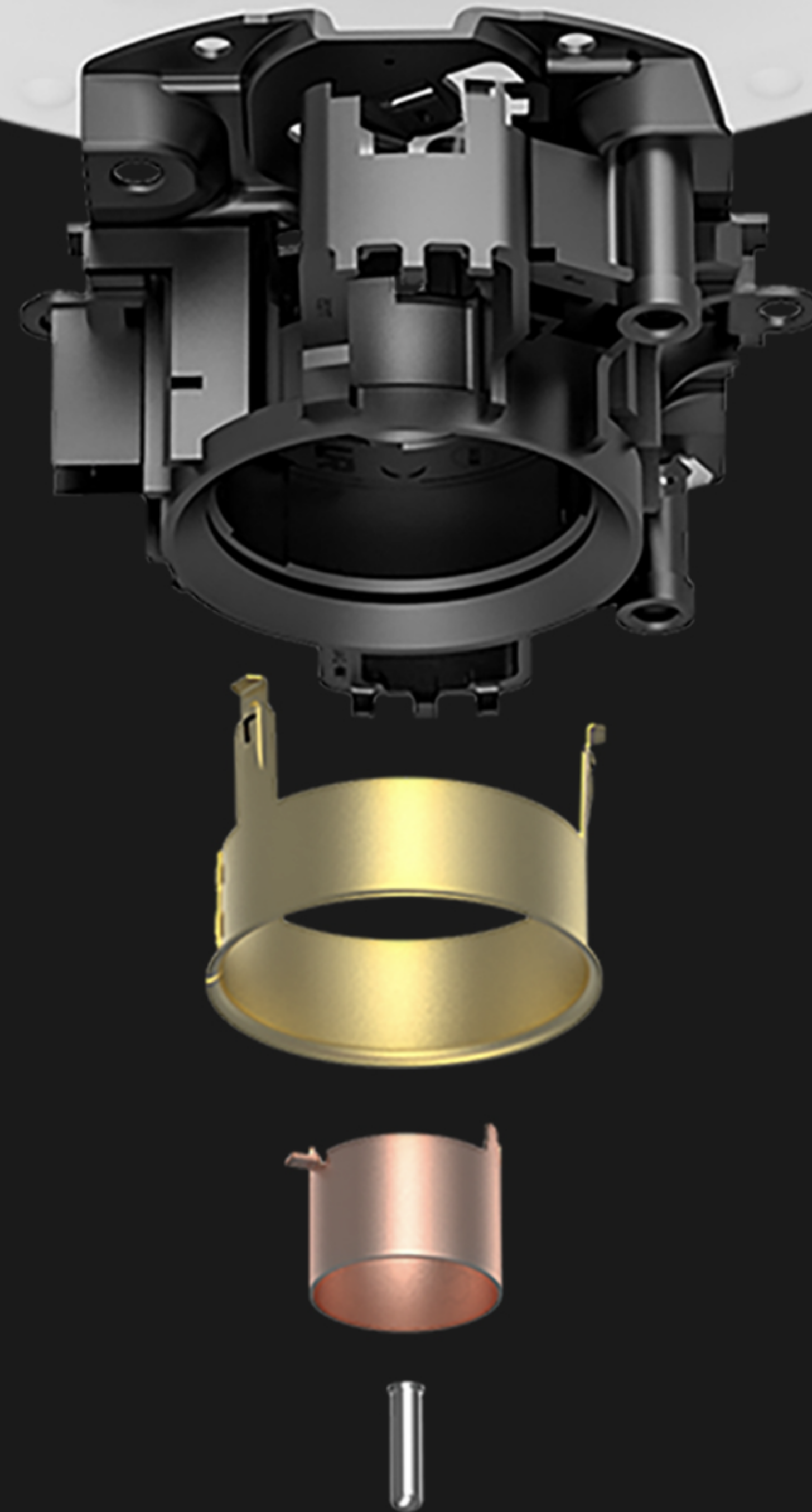
*Data from testing in the VIOMI Laboratory: Data will vary depending on environment and actual use.



Intelligent water temperature control Stop over-boiling

Press the "keep warm" button to reheat mineral water or water that does not need to be fully boiled. The water is heated to the temperature you set and this temperature is maintained so there is no need to boil and keep warm over and over.





UK Brand STRIX Thermostat

Longer lifetime

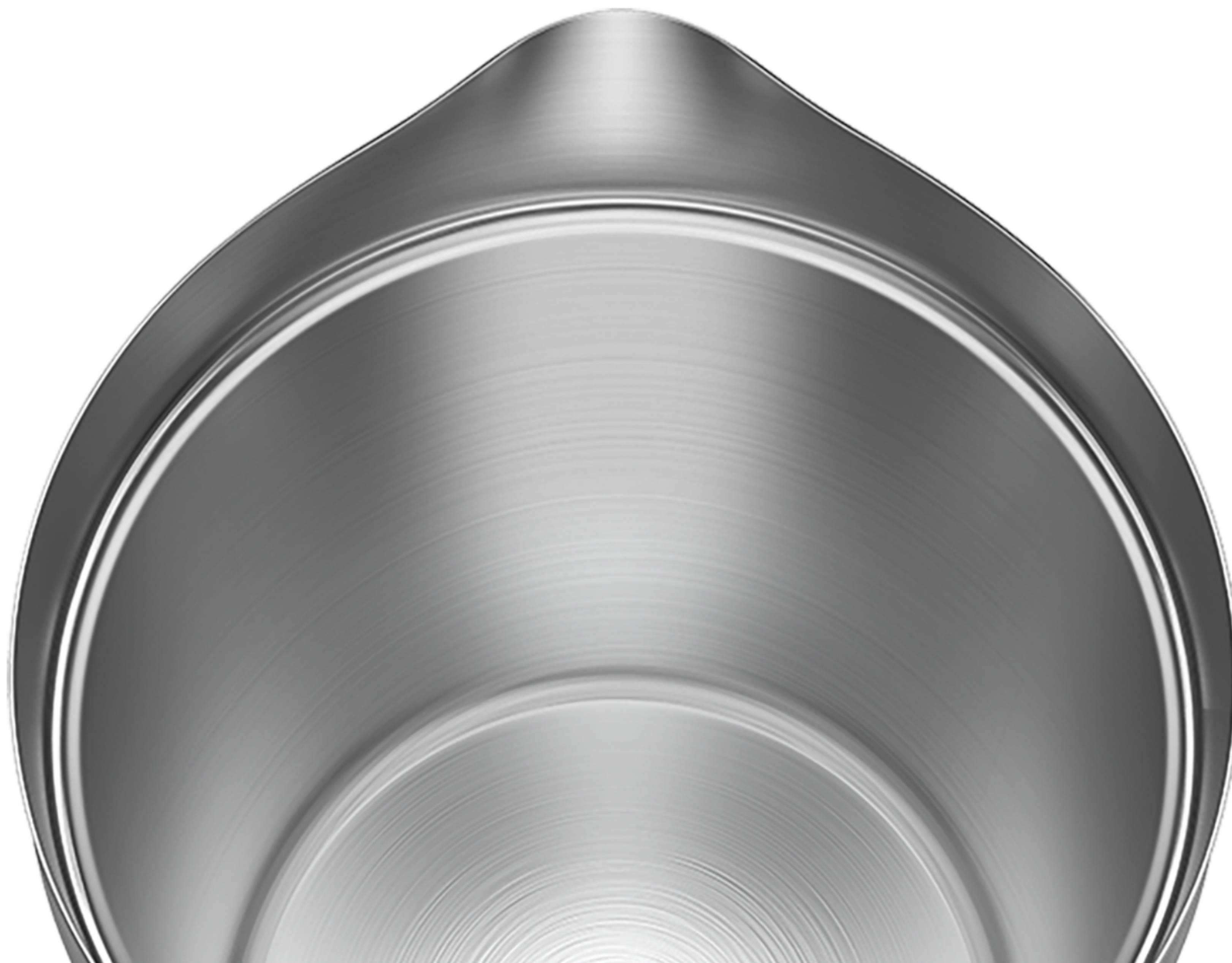
UK brand STRIX thermostat in Mi Smart Kettle Pro; It offers more precise temperature control functions, ensures full boiling of water and has a lifetime of up to 10 years*.

*Test data is obtained from the STRIX INNOVATIVE TECHNOLOGY Laboratory and is obtained with approximately 1000 uses per year, based on 2 to 3 usage conditions per day.

High capacity to share with your family

Boil only once to meet the drinking needs of more than one person without the need for frequent boiling and refilling thanks to its high 1.5 L capacity.





Thanks to its quality coating, you can protect your water in drinkable quality.

The components that come into contact with water, such as the cover and lid, are all made of high quality 304 stainless steel, meet food contact grade materials requirements* and are rust-proof, odorless and easy to clean.

*Test data Vkan Certification & Testing Co., Ltd. (CVC); Report number: WTS2019-23438.

Test standard: GB 4806.9-2016.

The kettle's double-layer body design provides thermal insulation and keeps the kettle cool to the touch

Mi Smart Kettle Pro has a double-layer body with gap insulation between the stainless steel coating and the outer casing, protecting you from high temperatures inside the kettle by preventing burns even after boiling.





Triple power protection Security for your peace of mind

Mi Smart Kettle Pro is designed with triple power protection:

First, the power will turn off automatically after the water has fully boiled. Second, the power will turn off automatically when dry burning is detected. In addition, the specially designed power connector provides effective protection against electric shock and leakage.



Automatic power off
after boiling



Automatic power off when
dry burning is detected



Electric shock resistant
design

Masterful details, carefully designed device



13 cm large integrated overlay

The mouth of the kettle is formed by a one-piece stainless steel stretching technique. Thus, it integrates seamlessly into the interior. The bottom of the kettle is smooth and has no hard-to-reach spots that interfere with cleaning. A large mouth with a diameter of 13 cm is fitted for easy cleaning.

Two-stage damped cover design

The lid opens using a two-stage damping design. The lid can be opened with a smaller degree so that the hot water drops collected in the lid do not splash out and prevent burning, or it can be opened with a wider degree, allowing you to fill the kettle and clean the inside easily.



High precision temperature sensor

When the sensor detects that the water has reached the desired temperature, the kettle automatically stops boiling or activates the keep-warm program depending on your settings.

Power cord storage

The extra length of the power cord can be wrapped around the kettle base and stored inside for a neater and sleeker look, both in use and when not in use.

